



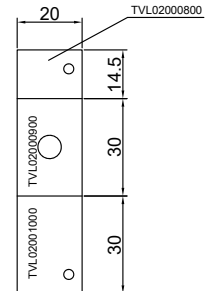
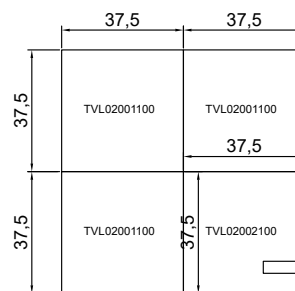
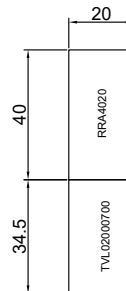
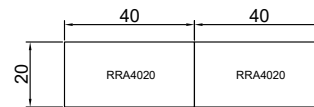
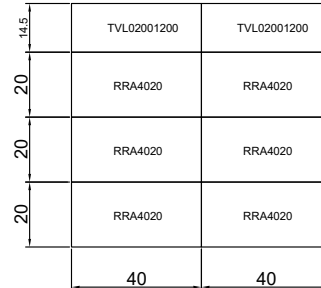
**MORE INFO**

# ZENO 4 PIZZE TOP

**Data Sheets - Scheda Tecnica**



|                            |                       |
|----------------------------|-----------------------|
| <b>Electric</b><br>VERSION |                       |
| <b>COLOUR</b><br>Colore    | <b>CODE</b><br>Codice |
| <b>Black</b>               | FP-Z4P-TE-NER         |
| <b>Silver grey</b>         | FP-Z4P-TE-GRI         |
| <b>Copper</b>              | FP-Z4P-TE-RAM         |



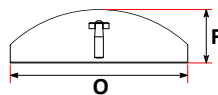
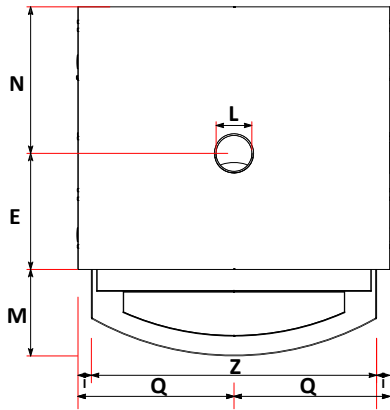
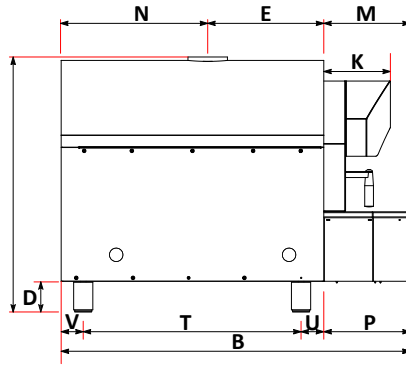
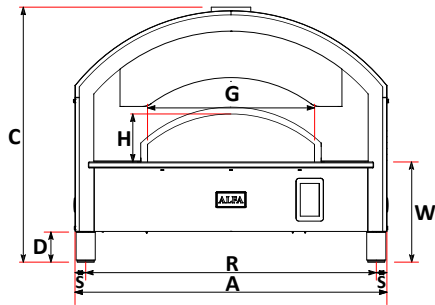
|  |  |                                 |
|--|--|---------------------------------|
| <b>Weight</b><br>Peso                              | <b>305 kg</b><br><b>671 lbs</b>        |                                 |
| <b>Cooking floor</b><br>Piano Cottura              | <b>75x75 cm</b><br><b>29,5x29,5 in</b> |                                 |
| <b>Max oven temperature</b><br>Temperatura massima | <b>500°C</b><br><b>932°F</b>           |                                 |
| <b>Heating time</b><br>Minuti per scaldare         | <b>75'</b>                             |                                 |
| <b>Pizza capacity</b><br>Numero Pizze              | <b>4</b><br>Ø33cm                      |                                 |
| <b>Power</b><br>Potenza                            | <b>13,5 KW</b>                         |                                 |
| <b>Power nominal</b><br>Potenza nominale           | CE<br><b>21</b><br><b>Amp</b>          | UL<br><b>32,5</b><br><b>Amp</b> |
| <b>Power break</b><br>Potenza di interruzione      | <b>10kA</b>                            |                                 |

|  |  |
|--|--|
| <b>Materials</b><br>Materiali                    | <b>Stainless Steel, iron sheet, Ceramic fiber</b><br>Acciaio inox, lamiera ferro, Fibrocera mica |
| <b>Type of refractory</b><br>Tipo di refrattario | <b>Alumina silicate HeatKeeper™ Firebrick</b><br>Tavella HeatKeeper™ silico-alluminoso           |

|  |                        |                               |
|--|------------------------|-------------------------------|
| <b>Voltage</b><br>Tensione                             | Europe<br><b>400 V</b> | North America<br><b>240 V</b> |
| <b>Frequency</b><br>Frequenza                          | <b>50/60Hz</b>         |                               |
| <b>Average consumption</b><br>Consumo medio            | <b>7 kW</b>            |                               |
| <b>Cable type</b><br>Tipo di cavo                      | <b>H07 RN-F 5x4mm</b>  |                               |
| <b>Electromagnetic curve</b><br>Curva elettromagnetica | <b>Type C</b>          |                               |



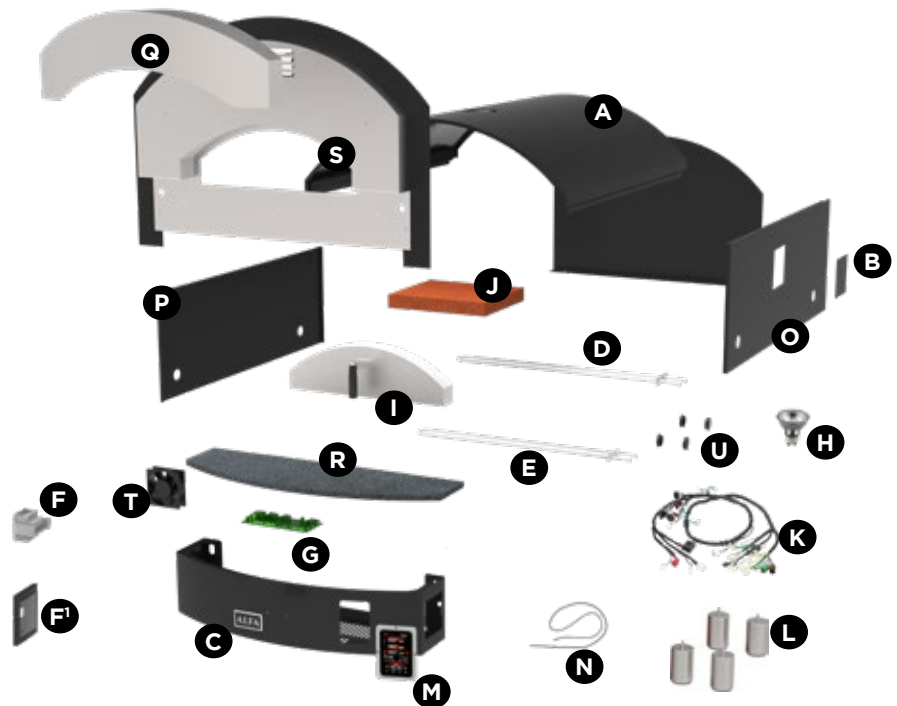
**Made in Italy**



|   | cm    | inch |   | cm    | inch |
|---|-------|------|---|-------|------|
| A | 104   | 40,9 | N | 48,7  | 19,2 |
| B | 116   | 45,7 | O | 59    | 23,2 |
| C | 85    | 33,5 | P | 28,8  | 11,3 |
| D | 10    | 3,9  | Q | 51,85 | 20,4 |
| E | 38,6  | 15,2 | R | 96,6  | 38   |
| F | 17,75 | 7    | S | 3,55  | 1,4  |
| G | 55,5  | 21,9 | T | 72,4  | 28,5 |
| H | 14    | 5,5  | U | 7,55  | 3    |
| I | 4,5   | 1,8  | V | 7,33  | 2,9  |
| K | 22,2  | 8,7  | W | 33,3  | 13,1 |
| L | 12    | 4,7  | Z | 94,8  | 37,3 |
| M | 28,8  | 11,3 |   |       |      |

| Description<br>Descrizione                          | Code<br>Codice |                                      |
|---|----------------|--------------------------------------|
| <b>External shell Up</b><br>Carter esterno SUP      | <b>A*</b>      | R-CRT-1-033                          |
| <b>Lamp shell</b><br>Carter lampada                 | <b>B**</b>     | CRT02003900                          |
| <b>Logo Alfa (v1.0)</b>                             | <b>C</b>       | D14PLAC-ALFA                         |
| <b>Higher resistor</b><br>Resistenze superiori      | <b>D</b>       | R-CMB-2-133                          |
| <b>Lower resistor</b><br>Resistenze inferiori       | <b>E</b>       | R-CMB-2-132                          |
| <b>Safety thermostat</b><br>Termostato di sicurezza | <b>F</b>       | CE   ELT03001300<br>UL   ELT03003500 |
| <b>Transformer</b><br>Trasformatore                 | <b>F'</b>      | ELT03000600                          |
| <b>Electronic board</b><br>Scheda elettronica       | <b>G</b>       | ELT03000100                          |
| <b>Halogen lamp</b><br>Lampada alogena              | <b>H</b>       | C32LAM-ZENO                          |
| <b>Door</b><br>Sportello                            | <b>I</b>       | R-SPT-1-018                          |
| <b>Red bricks 40x40 cm</b><br>Mattoni 40x40 cm      | <b>J</b>       | R-RRA4040                            |
| <b>Wiring</b><br>Cablaggio                          | <b>K</b>       | ELT03002500                          |
| <b>Feet (n.4)</b><br>Piedini                        | <b>L</b>       | D14PIED-M10X25-2                     |
| <b>Touch screen</b><br>Schermo touch                | <b>M</b>       | ELT03000200                          |
| <b>Temperature probe</b><br>Sonda temperature       | <b>N</b>       | ELT03000300                          |
| <b>Side shell R</b><br>Carter Laterale Dx           | <b>O***</b>    | R-CRT-1-034                          |
| <b>Side shell L</b><br>Carter Laterale Sx           | <b>P****</b>   | R-CRT-1-035                          |
| <b>Frontal hood</b><br>Cappa frontale               | <b>Q</b>       | R-ARC-1-020                          |
| <b>Stone sill</b><br>Davanzale in pietra            | <b>R</b>       | R-DVZ02000100                        |
| <b>Arch</b><br>Archetto                             | <b>S</b>       | R-ARC-1-010                          |
| <b>Fan</b><br>Ventola                               | <b>T</b>       | ELT03000900                          |
| <b>Eyebolt caps</b><br>Tappi golfari                | <b>U</b>       | MNT03000700                          |

| PACKAGING Z4P TOP<br>Dimensione imballo Z4P TOP |                    |                     |                   |                |
|---|--------------------|---------------------|-------------------|----------------|
|   | Width<br>Larghezza | Depth<br>Profondità | Height<br>Altezza | Weight<br>Peso |
| cm  | 135                | 113,5               | 95                | kg 363         |
| inch  | 53                 | 44,6                | 37,4              | lbs 800        |



\*\*,\*\*\*,\*\*\*\*: see table on last page



MORE INFO

# ZENO 4 PIZZE

Data Sheets - Scheda Tecnica



## Electric VERSION

| COLOUR<br>Colore | CODE<br>Codice |
|------------------|----------------|
| Black            | FP-Z4P-TE-NER  |
| Silver grey      | FP-Z4P-TE-GRI  |
| Copper           | FP-Z4P-TE-RAM  |

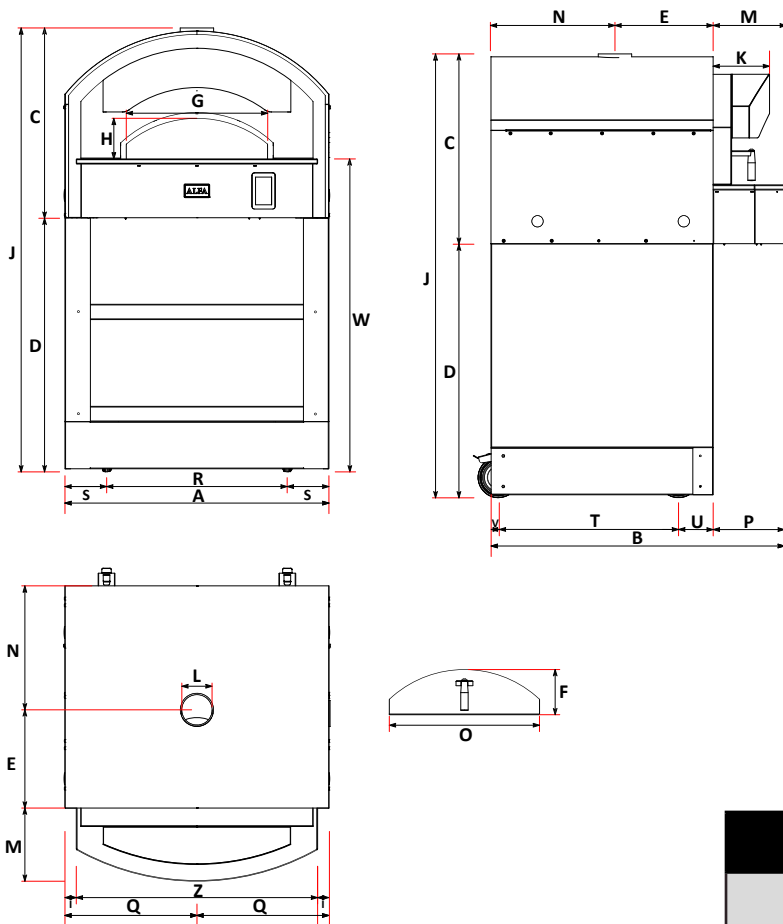
|  |   |
|--|---|
| <b>Weight</b><br>Peso                              | <b>370 kg</b><br><b>814 lbs</b>                   |
| <b>Cooking floor</b><br>Piano Cottura              | <b>75x75 cm</b><br><b>29,5x29,5 in</b>            |
| <b>Max oven temperature</b><br>Temperatura massima | <b>500°C</b><br><b>932°F</b>                      |
| <b>Heating time</b><br>Minuti per scaldare         | <b>75'</b>  |
| <b>Pizza capacity</b><br>Numero Pizze              | <b>4</b><br>Ø33cm                                 |
| <b>Power</b><br>Potenza                            | <b>13,5 KW</b>                                    |
| <b>Power nominal</b><br>Potenza nominale           | CE<br><b>21<br/>Amp</b> UL<br><b>32,5<br/>Amp</b> |
| <b>Power break</b><br>Potenza di interruzione      | <b>10kA</b>                                       |

|  |   |
|--|---|
| <b>Materials</b><br>Materiali                    | <b>Stainless Steel, iron sheet, Ceramic fiber</b><br>Acciaio inox, lamiera ferro, Fibroceramica |
| <b>Type of refractory</b><br>Tipo di refrattario | <b>Alumina silicate HeatKeeper™ Firebrick</b><br>Tavella HeatKeeper™ silico-alluminoso          |

|  |                        |                               |
|--|------------------------|-------------------------------|
| <b>Voltage</b><br>Tensione                             | Europe<br><b>400 V</b> | North America<br><b>240 V</b> |
| <b>Frequency</b><br>Frequenza                          | <b>50/60Hz</b>         |                               |
| <b>Average consumption</b><br>Consumo medio            | <b>7 kW</b>            |                               |
| <b>Cable type</b><br>Tipo di cavo                      | <b>H07 RN-F 5x4mm</b>  |                               |
| <b>Electromagnetic curve</b><br>Curva elettromagnetica | <b>Type C</b>          |                               |



Made in Italy



|          | cm    | inch |          | cm    | inch |
|----------|-------|------|----------|-------|------|
| <b>A</b> | 104   | 40,9 | <b>M</b> | 28,8  | 11,3 |
| <b>B</b> | 116   | 45,7 | <b>N</b> | 48,7  | 19,2 |
| <b>C</b> | 74,5  | 29,3 | <b>O</b> | 59    | 23,2 |
| <b>D</b> | 100   | 39,4 | <b>P</b> | 28    | 11   |
| <b>E</b> | 38,6  | 15,2 | <b>Q</b> | 51,85 | 20,4 |
| <b>F</b> | 17,75 | 7    | <b>R</b> | 71    | 28   |
| <b>G</b> | 55,5  | 21,9 | <b>S</b> | 16,5  | 6,5  |
| <b>H</b> | 14    | 5,5  | <b>T</b> | 70,5  | 27,8 |
| <b>I</b> | 4,5   | 1,8  | <b>U</b> | 13,6  | 5,4  |
| <b>J</b> | 175,0 | 68,9 | <b>V</b> | 3     | 1,2  |
| <b>K</b> | 22,2  | 8,7  | <b>W</b> | 123   | 48,4 |
| <b>L</b> | 12    | 4,7  | <b>Z</b> | 94,8  | 37,3 |

| <b>PACKAGING Z4P</b><br>Dimensione imballo Z4P |                           |                            |                          |                       |     |
|--|---------------------------|----------------------------|--------------------------|-----------------------|-----|
|  | <b>Width</b><br>Larghezza | <b>Depth</b><br>Profondità | <b>Height</b><br>Altezza | <b>Weight</b><br>Peso |     |
| <b>cm</b>                                      | 135                       | 113,5                      | 185                      | <b>kg</b>             | 436 |
| <b>inch</b>                                    | 53                        | 44,4                       | 73                       | <b>lbs</b>            | 961 |

| <b>PACKAGING Z4P BASE</b><br>Dimensione imballo Z4P Base |                           |                            |                          |                       |     |
|--|---------------------------|----------------------------|--------------------------|-----------------------|-----|
|  | <b>Width</b><br>Larghezza | <b>Depth</b><br>Profondità | <b>Height</b><br>Altezza | <b>Weight</b><br>Peso |     |
| <b>cm</b>  | 137                       | 113,5                      | 110                      | <b>kg</b>             | 131 |
| <b>inch</b>  | 53,9                      | 44,4                       | 43,3                     | <b>lbs</b>            | 289 |

| <b>Description</b><br>Descrizione                        |           | <b>Code</b><br>Codice |
|--|-----------|-----------------------|
| <b>Lower base shelf</b><br>Ripiano Base inferiore        | <b>V</b>  | R-BAS01001600         |
| <b>Upper base shelf</b><br>Ripiano Base superiore        | <b>W</b>  | R-BAS01000800         |
| <b>Basic castors with brakes</b><br>Ruote Base con freno | <b>X</b>  | R-RTE03000100         |
| <b>Front wheel covers</b><br>Copri-ruote frontale        | <b>Y</b>  | BAS02007700           |
| <b>Side wheel covers</b><br>Copri-ruote laterale         | <b>Y'</b> | BAS02007900           |
| <b>Lateral base</b><br>Laterale Base                     | <b>Z</b>  | R-BAS02001300         |

|                    | <b>A*</b>       | <b>B**</b>      | <b>O***</b>     | <b>P****</b>    |
|--------------------|-----------------|-----------------|-----------------|-----------------|
| <b>Black</b>       | R-CRT-1-033-NER | CRT02003900-NER | R-CRT-1-034-NER | R-CRT-1-035-NER |
| <b>Silver grey</b> | R-CRT-1-033-GRI | CRT02003900-GRI | R-CRT-1-034-GRI | R-CRT-1-035-GRI |
| <b>Copper</b>      | R-CRT-1-033-RAM | CRT02003900-RAM | R-CRT-1-034-RAM | R-CRT-1-035-RAM |

